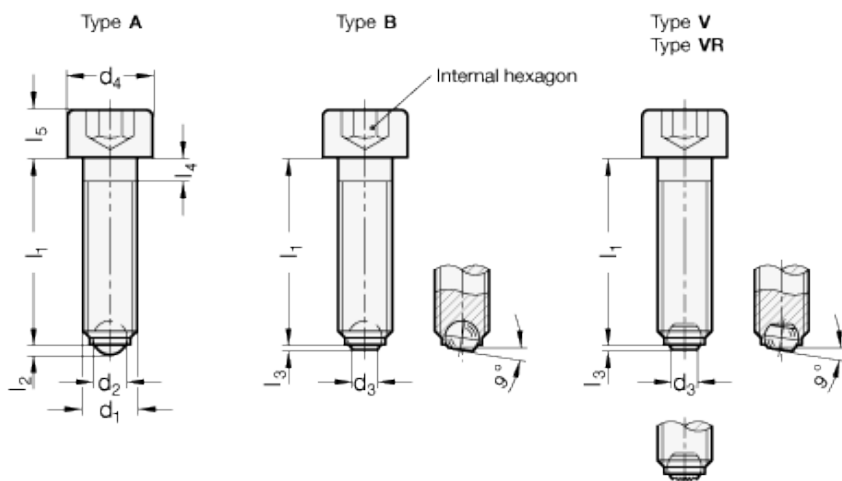


GN 606

Set screws with ball terminal



technical informations

Material

Black-oxide steel, hexagon socket head.

Ball

Hardened steel.

- Version A: full ball for applications requiring a single contact point.
- Version B: reversible flat-faced ball for fitting non-parallel surfaces.
- Version V: non-reversible flat-faced ball.
- Version VR: non-reversible knurled flat-faced ball.

Maximum ball plane inclination for flat-faced balls = 9°.

Applications

GN 606 set screws with ball terminal are suitable for locking or supporting pieces to be machined. Executions V and VR ensure that clamping is always maintained on the flat section of the ball.

Description												Static load in N	g
	d ₁	l ₁	d ₂	d ₃	d ₄	l ₂ -	l ₃ -	l ₄	l ₅	A/F			
GN 606-M4-10-A	M4	10	2.5	-	7	0.8	-	2.1	4	3	3500	1	
GN 606-M4-12-A	M4	12	2.5	-	7	0.8	-	2.1	4	3	3500	1	
GN 606-M4-16-A	M4	16	2.5	-	7	0.8	-	2.1	4	3	3500	2	
GN 606-M4-20-A	M4	20	2.5	-	7	0.8	-	2.1	4	3	3500	3	
GN 606-M4-25-A	M4	25	2.5	-	7	0.8	-	2.1	4	3	3500	4	
GN 606-M5-12-A	M5	12	3	-	8.5	0.9	-	2.4	5	4	5000	2	
GN 606-M5-16-A	M5	16	3	-	8.5	0.9	-	2.4	5	4	5000	3	
GN 606-M5-20-A	M5	20	3	-	8.5	0.9	-	2.4	5	4	5000	4	
GN 606-M5-25-A	M5	25	3	-	8.5	0.9	-	2.4	5	4	5000	5	
GN 606-M5-30-A	M5	30	3	-	8.5	0.9	-	2.4	5	4	5000	6	
GN 606-M6-16-A	M6	16	4	-	10	1.4	-	3	6	5	9000	5	
GN 606-M6-20-A	M6	20	4	-	10	1.4	-	3	6	5	9000	6	
GN 606-M6-25-A	M6	25	4	-	10	1.4	-	3	6	5	9000	7	
GN 606-M6-30-A	M6	30	4	-	10	1.4	-	3	6	5	9000	8	
GN 606-M6-40-A	M6	40	4	-	10	1.4	-	3	6	5	9000	10	
GN 606-M8-20-A	M8	20	5.5	-	13	1.7	-	3.5	8	6	15000	13	
GN 606-M8-30-A	M8	30	5.5	-	13	1.7	-	3.5	8	6	15000	15	
GN 606-M8-35-A	M8	35	5.5	-	13	1.7	-	3.5	8	6	15000	17	
GN 606-M8-40-A	M8	40	5.5	-	13	1.7	-	3.5	8	6	15000	19	
GN 606-M8-50-A	M8	50	5.5	-	13	1.7	-	3.5	8	6	15000	23	
GN 606-M10-25-A	M10	25	7	-	16	2.3	-	4.5	10	8	24000	25	
GN 606-M10-30-A	M10	30	7	-	16	2.3	-	4.5	10	8	24000	27	
GN 606-M10-40-A	M10	40	7	-	16	2.3	-	4.5	10	8	24000	31	
GN 606-M10-50-A	M10	50	7	-	16	2.3	-	4.5	10	8	24000	37	
GN 606-M10-60-A	M10	60	7	-	16	2.3	-	4.5	10	8	24000	44	
GN 606-M12-30-A	M12	30	8	-	18	2.8	-	5	12	10	30000	50	
GN 606-M12-50-A	M12	50	8	-	18	2.8	-	5	12	10	30000	54	
GN 606-M12-80-A	M12	80	8	-	18	2.8	-	5	12	10	30000	80	
GN 606-M16-40-A	M16	40	12	-	24	4	-	6	16	14	73000	92	
GN 606-M16-60-A	M16	60	12	-	24	4	-	6	16	14	73000	123	
GN 606-M16-80-A	M16	80	12	-	24	4	-	6	16	14	73000	151	
GN 606-M4-10-B	M4	10	-	1.8	7	-	0.4	2.1	4	3	3500	1	
GN 606-M4-12-B	M4	12	-	1.8	7	-	0.4	2.1	4	3	3500	1	
GN 606-M4-16-B	M4	16	-	1.8	7	-	0.4	2.1	4	3	3500	2	
GN 606-M4-20-B	M4	20	-	1.8	7	-	0.4	2.1	4	3	3500	3	
GN 606-M4-25-B	M4	25	-	1.8	7	-	0.4	2.1	4	3	3500	4	
GN 606-M5-12-B	M5	12	-	2	8.5	-	0.5	2.4	5	4	5000	2	
GN 606-M5-16-B	M5	16	-	2	8.5	-	0.5	2.4	5	4	5000	3	
GN 606-M5-20-B	M5	20	-	2	8.5	-	0.5	2.4	5	4	5000	4	
GN 606-M5-25-B	M5	25	-	2	8.5	-	0.5	2.4	5	4	5000	5	
GN 606-M5-30-B	M5	30	-	2	8.5	-	0.5	2.4	5	4	5000	6	
GN 606-M6-16-B	M6	16	-	3.2	10	-	0.6	3	6	5	9000	5	
GN 606-M6-20-B	M6	20	-	3.2	10	-	0.6	3	6	5	9000	6	

GN 606-M6-25-B	M6	25	-	3.2	10	-	0.6	3	6	5	9000	7
GN 606-M6-30-B	M6	30	-	3.2	10	-	0.6	3	6	5	9000	8
GN 606-M6-40-B	M6	40	-	3.2	10	-	0.6	3	6	5	9000	10
GN 606-M8-20-B	M8	20	-	4.2	13	-	0.7	3.5	8	6	15000	13
GN 606-M8-30-B	M8	30	-	4.2	13	-	0.7	3.5	8	6	15000	15
GN 606-M8-35-B	M8	35	-	4.2	13	-	0.7	3.5	8	6	15000	17
GN 606-M8-40-B	M8	40	-	4.2	13	-	0.7	3.5	8	6	15000	19
GN 606-M8-50-B	M8	50	-	4.2	13	-	0.7	3.5	8	6	15000	23
GN 606-M10-25-B	M10	25	-	5.7	16	-	0.8	4.5	10	8	24000	25
GN 606-M10-30-B	M10	30	-	5.7	16	-	0.8	4.5	10	8	24000	27
GN 606-M10-40-B	M10	40	-	5.7	16	-	0.8	4.5	10	8	24000	31
GN 606-M10-50-B	M10	50	-	5.7	16	-	0.8	4.5	10	8	24000	37
GN 606-M10-60-B	M10	60	-	5.7	16	-	0.8	4.5	10	8	24000	44
GN 606-M12-30-B	M12	30	-	7.1	18	-	0.9	5	12	10	30000	50
GN 606-M12-50-B	M12	50	-	7.1	18	-	0.9	5	12	10	30000	54
GN 606-M12-80-B	M12	80	-	7.1	18	-	0.9	5	12	10	30000	80
GN 606-M16-40-B	M16	40	-	9.7	24	-	1.5	6	16	14	73000	92
GN 606-M16-60-B	M16	60	-	9.7	13	-	1.5	6	16	14	73000	123
GN 606-M16-80-B	M16	80	-	9.7	24	-	1.5	6	16	14	73000	151
GN 606-M6-16-V	M6	16	-	3.2	10	-	0.6	3	6	5	-	5
GN 606-M6-20-V	M6	20	-	3.2	10	-	0.6	3	6	5	-	6
GN 606-M6-25-V	M6	25	-	3.2	10	-	0.6	3	6	5	-	7
GN 606-M6-30-V	M6	30	-	3.2	10	-	0.6	3	6	5	-	8
GN 606-M6-40-V	M6	40	-	3.2	10	-	0.6	3	6	5	-	10
GN 606-M8-20-V	M8	20	-	4.2	13	-	0.7	3.5	8	6	-	13
GN 606-M8-30-V	M8	30	-	4.2	13	-	0.7	3.5	8	6	-	15
GN 606-M8-35-V	M8	35	-	4.2	13	-	0.7	3.5	8	6	-	17
GN 606-M8-40-V	M8	40	-	4.2	13	-	0.7	3.5	8	6	-	19
GN 606-M8-50-V	M8	50	-	4.2	13	-	0.7	3.5	8	6	-	23
GN 606-M10-25-V	M10	25	-	5.7	16	-	0.8	4.5	10	8	-	25
GN 606-M10-30-V	M10	30	-	5.7	16	-	0.8	4.5	10	8	-	27
GN 606-M10-40-V	M10	40	-	5.7	16	-	0.8	4.5	10	8	-	31
GN 606-M10-50-V	M10	50	-	5.7	16	-	0.8	4.5	10	8	-	37
GN 606-M10-60-V	M10	60	-	5.7	16	-	0.8	4.5	10	8	-	44
GN 606-M12-30-V	M12	30	-	7.1	18	-	0.9	5	12	10	-	50
GN 606-M12-50-V	M12	50	-	7.1	18	-	0.9	5	12	10	-	75
GN 606-M12-80-V	M12	80	-	7.1	18	-	0.9	5	12	10	-	80
GN 606-M16-40-V	M16	40	-	9.7	24	-	1.5	6	16	14	-	92
GN 606-M16-60-V	M16	60	-	9.7	24	-	1.5	6	16	14	-	123
GN 606-M16-80-V	M16	80	-	9.7	24	-	1.5	6	16	14	-	151
GN 606-M6-16-VR	M16	16	-	3.2	10	-	0.6	3	6	5	-	5
GN 606-M6-20-VR	M6	20	-	3.2	10	-	0.6	3	6	5	-	6
GN 606-M6-25-VR	M6	25	-	3.2	10	-	0.6	3	6	5	-	7
GN 606-M6-30-VR	M6	30	-	3.2	10	-	0.6	3	6	5	-	8
GN 606-M6-40-VR	M6	40	-	3.2	10	-	0.6	3	6	5	-	10

GN 606-M8-20-VR	M8	20	-	4.2	31	-	0.7	3.5	8	6	-	13
GN 606-M8-30-VR	M8	30	-	4.2	13	-	0.7	3.5	8	6	-	15
GN 606-M8-35-VR	M8	35	-	4.2	13	-	0.7	3.5	8	6	-	17
GN 606-M8-40-VR	M8	40	-	4.2	13	-	0.7	3.5	8	6	-	19
GN 606-M8-50-VR	M8	50	-	4.2	13	-	0.7	3.5	8	6	-	23
GN 606-M10-25-VR	M10	25	-	5.7	16	-	0.8	4.5	10	8	-	25
GN 606-M10-30-VR	M10	30	-	5.7	16	-	0.8	4.5	10	8	-	27
GN 606-M10-40-VR	M10	40	-	5.7	16	-	0.8	4.5	10	8	-	31
GN 606-M10-50-VR	M10	50	-	5.7	16	-	0.8	4.5	10	8	-	37
GN 606-M10-60-VR	M10	60	-	5.7	16	-	0.8	4.5	10	8	-	44
GN 606-M12-30-VR	M12	30	-	7.1	18	-	0.9	5	12	10	-	50
GN 606-M12-50-VR	M12	50	-	7.1	18	-	0.9	5	12	10	-	54
GN 606-M12-80-VR	M12	80	-	7.1	18	-	0.9	5	12	10	-	80
GN 606-M16-40-VR	M16	40	-	9.7	24	-	1.5	6	16	14	-	92
GN 606-M16-60-VR	M16	60	-	9.7	24	-	1.5	6	16	14	-	123
GN 606-M16-80-VR	M16	80	-	9.7	24	-	1.5	6	16	14	-	151



STANDARD MACHINE ELEMENTS WORLDWIDE